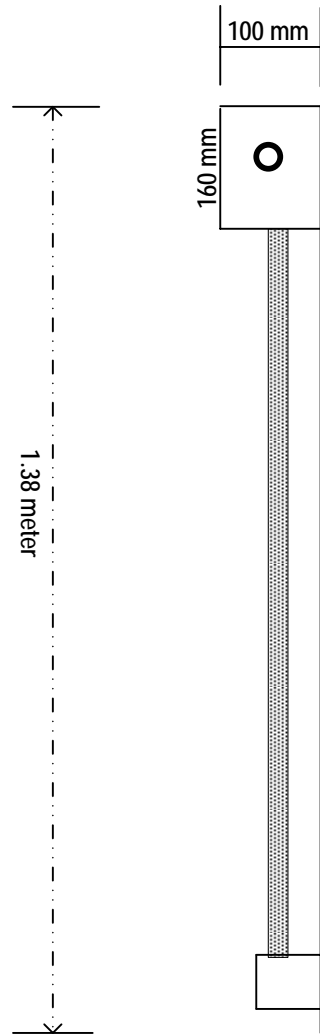
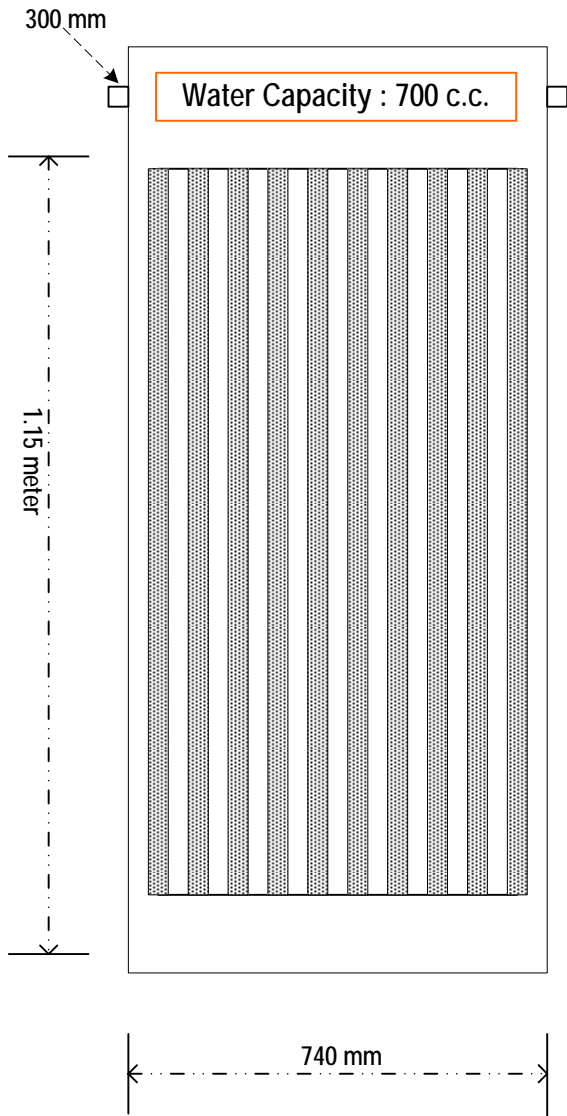
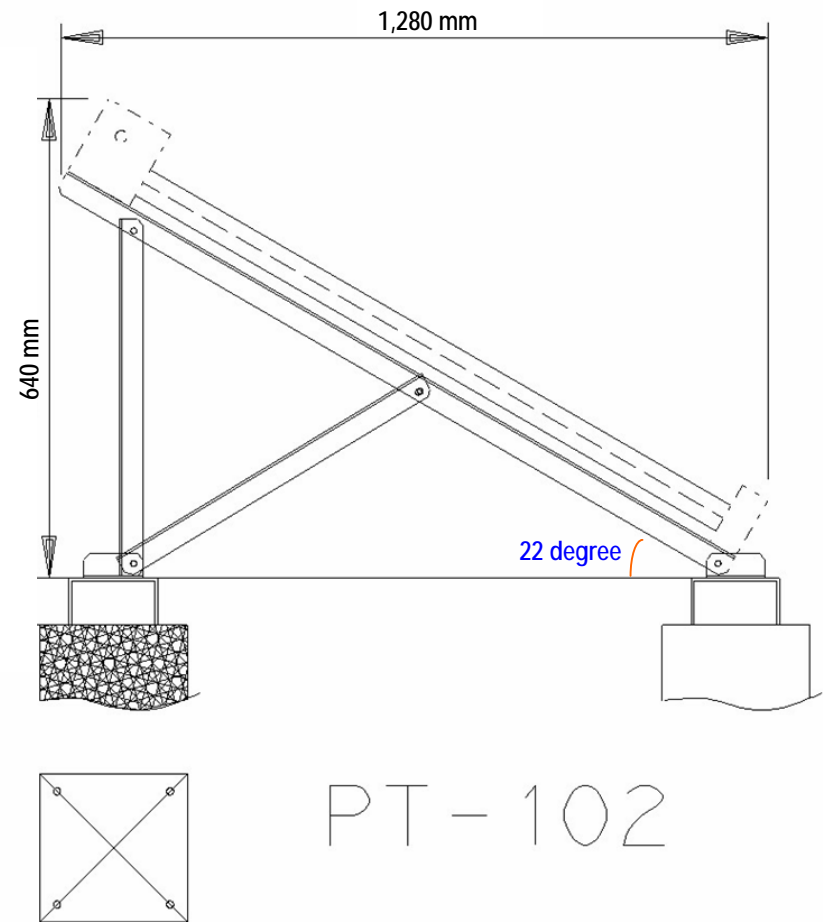


Framing Material : Stainless Steel



Design Product Life : 15 Years



Model : PT-102

Gross weight (with water) : 45 Kg

Affordable Pressure : 10 Bar

Drawing Title: RPT U-Type Heat Pipe Collector "Evacuated-Tube Solar Collector"		Draw Title 1.1 : PT-102 Solar Collector Layout / Dimension		
Date : 15th February 20005		Http : www.rpt.com.hk Email : info@rpt.com.hk Hotline : +852 3428 8820		
Resources & Protection Technology Ltd.	SIZE A	FSCM NO	DWG NO	REV
	SCALE		SHEET	1 OF 1